

# 90CM SEMI INTEGRATED HOOD AI1790X

# Brandt

## SPECIFICATIONS

- Under Mount
- Stainless steel
- 90cm
- Re-cycling mode only

### Control panel

- Electronic touch control with white LED digit display

### Functions

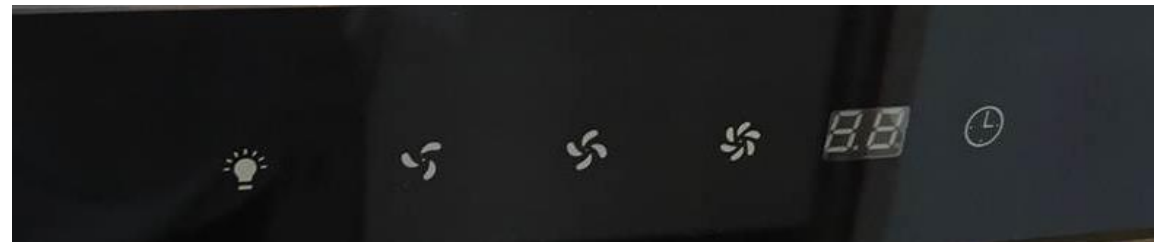
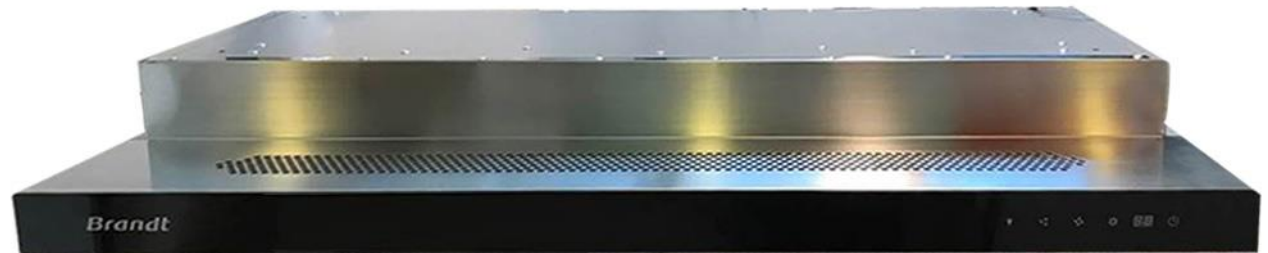
- Max. airflow: 825m<sup>3</sup>/h
- 3 fan, 3 motor
- 3 speed levels
- <59dBa
- 3 – 15 mins delay timer

### Lighting

- 2 x 1W LED lighting

### Filters

- 3 x aluminium filters
- Charcoal filter



# 90CM SEMI INTEGRATED HOOD AI1790X

**Brandt**

## ELECTRICAL CONNECTIONS

- Total power (W): 257
- Current (A): 10
- Voltage (V): 220 -240
- Frequency (Hz): 50

## DIMENSIONS

- Overall product Dimension(mm): H120 x W898 x D420
- Built in dimensions (mm): H120 x W860 x D280
- Net weight (kg): 18
- Gross weight (kg): 21

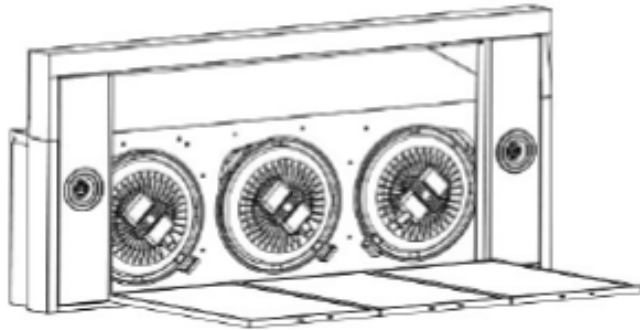
# 90CM SEMI INTEGRATED HOOD AI1790X

# Brandt

## INSTALLATION DIAGRAM

### Installation (1)

STEP 1 : Remove the aluminium filters and place them in a safe location to avoid damage.

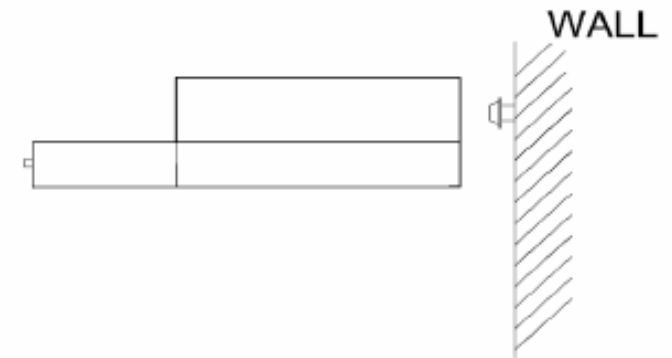


STEP 2 : Install the 2 screws on the wall.



### Installation (1)

STEP 3 : Hang the hood on the 2 screws.



STEP 4 : Tighten the 2 screws completely.



**90CM SEMI INTEGRATED HOOD  
AI1790X**

**Brandt**

**INSTALLATION DIAGRAM**

